

Rugged Digital Networks Solutions

Reinforced Infocom Connectors for Harsh Environment

RJ Field Cat6

NEW

Amphenol



Connecting to people + technology

www.rjfield.com

INFORMATION ■■■■

	CAT5e	CAT6	CAT6A
Standard	ISO 11801 EIA/TIA 568	ISO 11801 EIA/TIA 568	ISO 11801 EIA/TIA 568
Data rate	1 GBit/s	1 GBit/s	10 GBit/s
Frequency	100 MHz	250 MHz	500 MHz

OUR SOLUTIONS

Series	CAT5e	CAT6	CAT6A
RJFRB	X	X	
RJF544	X		
RJF5446	X	X	
RJFEZ	X		
RJF / RJFTV	X		
RJF6 / RJFTV6	X	X	
RJFTV ATEX	X		
RJFTV6 ATEX	X	X	
μCom-10Gb+	X	X	X
RJF6A / RJFTV6A *	X	X	X
High reliability cables & cordsets	X	X	X

* *Coming soon*

Cat5e solutions ► [Download the Rugged Ethernet & USB catalogue](#)

μCom-10Gb+ Ethernet Micro Connector ► [Download the catalogue](#)

or
visit

► www.amphenol-socapex.com

RUGGED ETHERNET CAT6 SOLUTIONS SELECTION GUIDE

Connectors	Series	Indust. Ethernet Spec.	Coupling Mechanism	Shape	Material	Specification	Prime Market	Page
	RJFRB		Reverse bayonet	Circular	Plastic	N/A	Industrial & Telecom	5
	RJF5446	IEC 60603-7 variant 12	Push Pull	Circular	Plastic	N/A	Industrial & Telecom	7
	RJF6	IEC 60603-7 variant 11	Bayonet	Circular	Metal	MIL-DTL-26482	Industrial Mil/Aero	9
	RJF6 CAT6 in line receptacle	IEC 60603-7 variant 11	Bayonet	Circular	Metal	MIL-DTL-26482	Industrial Mil/Aero	12
	RJF6 CAT6 transversally sealed receptacles		Bayonet	Circular	Metal	MIL-DTL-26482	Mil/Aero & Industrial	13
	RJF6 CAT6 hermetic receptacles		Bayonet	Circular	Metal	MIL-DTL-26482	Mil/Aero & Industrial	14
	RJ Field Cat 6 receptacles with self closing cap	IEC 60603-7 variant 11	Bayonet	Circular	Metal	MIL-DTL-26482	Industrial Mil/Aero	15
	RJF TV6		Thread	Circular	Metal	MIL-DTL-38999 Series III	Mil/Aero & Rail Mass Transit	18
	RJF TV6 CAT6 through bulkhead receptacles		Thread	Circular	Metal	MIL-DTL-38999 Series III	Mil/Aero & Rail Mass Transit	21
	RJF TV 6 CAT6 transversally sealed receptacles		Thread	Circular	Metal	MIL-DTL-38999 Series III	Mil/Aero & Industrial	22
	RJF TV 6 CAT6 hermetic receptacles		Thread	Circular	Metal	MIL-DTL-38999 Series III	Mil/Aero & Industrial	23
Cable	Series	Prime Market						Page
	High reliability Cat6 cable & cordets	Mil/Aero						27

RUGGED ATEX ZONE 2 CAT6 SOLUTION SELECTION GUIDE


Connectors	Series	Indust. Ethernet Spec.	Coupling Mechanism	Shape	Material	Specification	Prime Market	Page
	RJF TV6X	EN60079-15	Thread	Circular	Metal	MIL-DTL-38999 Series III	Factory Automation, Video, Oil & Gas	28

TABLE OF CONTENTS

CAT 6 Rugged Ethernet Solutions

RJFRB - CAT6 Ethernet connection system for harsh environment - Industrial Ethernet	5
RJF5446 - CAT6 Ethernet connection system for harsh environment - Industrial Ethernet	7
RJF6 - CAT6 Ethernet connection system for harsh environment - Industrial Ethernet	9
RJF6 - CAT6 in line receptacle	12
RJF6 - CAT6 transversally sealed receptacles	13
RJF6 - CAT6 hermetic receptacles	14
RJF CAT6 receptacle with self closing cap	15
RJF plugs with 360° EMI backshell	16
RJF special plugs for big insulation wire up to 1.6 mm	17
RJF TV6 - CAT6 Ethernet connection system for harsh environment	18
RJF TV6 - CAT6 through bulkhead receptacles	21
RJF TV6 - CAT6 transversally sealed receptacles.....	22
RJF TV6 - CAT6 hermetic receptacles.....	23
RJFTV plugs with 360° EMI backshell	24
RJFTV special plugs for big insulation wire up to 1.6mm	25
Self closing cap (SCC) for RJF TV6/RJFTV receptacles	26
High reliability CAT6 Ethernet cable and cordsets	27

ATEX Solutions

RJF TVX6 - CAT6 RJ45 explosion proof solution for Zone 2	28
--	----

RJF RB

CAT6 Ethernet connection system for harsh environment – Industrial Ethernet



RJFRB allows you to use an Ethernet Class E / Cat 6 connection for 10 BaseT, 100 BaseTX or 1000 BaseT up to 250 MHz networks in harsh environments. With the patented RJStop® system you can use a standard RJ45 cordset in a protective **composite** plug which will protect it from shocks, dust and fluids. **No hazardous on-field cabling and grounding!**

Applications

- Telecom equipments
- Video control
- Robotics
- Industrial process control
- CNC machines
- Special machines
- Motion control

Data transmission

10 BaseT, 100 BaseTX and 1000 BaseT up to 250 MHz networks
Cat6 per EIA/TIA 568 and ClassE per ISO11801

Main characteristics

- Sealed against fluids and dust (IP68)
- Shock, vibration and traction resistant
- No cabling operation in field, no tools required
- **Reverse bayonet coupling**
- RJ45 cordset retention in the plug: 70 N in the axis
- Mating cycles: 500 min
- Compatible with cable diameter from 5,5 mm [0.216 in] to 7 mm [0.275 in]

Environmental protection

- Sealing: IP68
- Salt spray > 1000 h
- Fire retardant / Low smoke: UL94 V0 and NFF 16102, DIN 5510-2
- Thermal shock: 5 cycles at - 40°C / +100°C
- Operating temperature: - 40°C / +85°C

Part number code

	RJF RB	7	3U
Shell type			
7: composite jam nut receptacle			
6: composite reverse bayonet plug, plastic gland			
Back terminations (for receptacles only)			
3U: IDC cat6 - unshielded			
3F: IDC cat6 - partial shielding			
3S: IDC cat6 - 100% shielded			

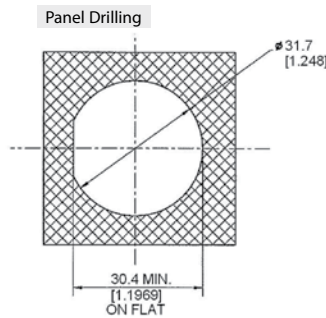
Examples: - receptacle, IDC cat6, unshielded ⇒ **RJF RB 73U**
- plug ⇒ **RJF RB 6**

Receptacle

- Type 3: IDC CAT 6 termination (rear mounting)



Unshielded: **RJF RB 73U**
Partial shielding **RJF RB 73F**



Shielded: **RJFRB73S**

Cat5e version: page 10 of the Field series catalogue.

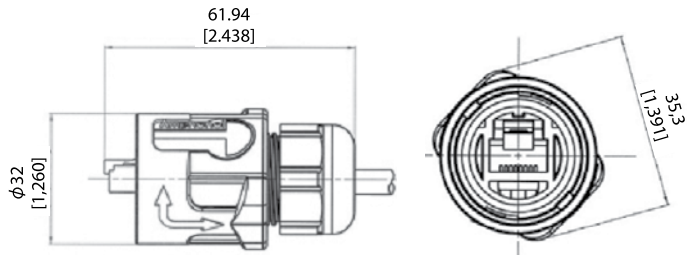
- ▶ [Direct access by clicking here](#)
- ▶ Or visit www.amphenol-socapex.com

Plug

- Type 6 shell with plastic gland



RJFRB6

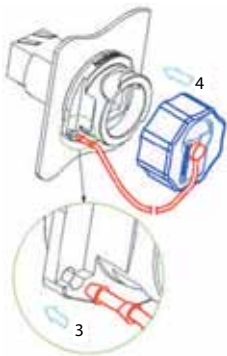


Assembly instructions

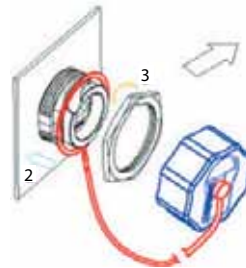


Accessories

- IP68 Dust caps



RJF RB C7
Cap for receptacles RJFRB71 / 71RA / 72xxx



RJF RB C75
Cap for receptacles RJFRB75 and RJFRB73x

RJF 5446

CAT6 Ethernet connection system for harsh environment – Industrial Ethernet



RJF5446 allows you to use an Ethernet Class E / Cat 6 connection for 10 BaseT, 100 Base TX or 1000 BaseT up to 250 MHz networks in harsh environments. With the patented RJStop® system you can use a standard RJ45 cordset in a protective **composite** plug which will protect it from shocks, dust and fluids. **No hazardous on-field cabling and grounding !**

Applications

- Telecom equipment
- Video control
- Robotics
- Industrial process control
- CNC machines
- Special machines
- Motion control
- Tele-maintenance

Data transmission

10 BaseT, 100 BaseTX and 1000 BaseT up to 250 MHz networks
Cat6 per EIA/TIA 568 and ClassE per ISO11801



Also available with transversal sealing*

*Sealed in unmated condition

Main characteristics

- Compliant with IEC 60603-7 variante 12
- Shock, vibration and traction resistant
- No cabling operation in field and no tools required
- Sealed against fluids and dust (IP68)
- **Quick push pull coupling**
- RJ45 cordset retention in the plug: 100 N in the axis
- Mating cycles: 500 min
- Improved EMI Protection
- Compatible with cable diameter from 6 mm [0.236 in] to 13 mm [0.512 in]

Environmental Protection

- Sealing: IP68
- Salt spray > 1000 h
- Fire retardant / Low smoke: UL94 V0 and NFF 16102, DIN 5510-2
- Vibrations: 10 – 500 Hz, 10 g, 3 axes: no discontinuity > 10 nano s.
- Thermal shock: 5 cycles at - 40°C / +100°C
- Operating temperature: - 40°C / +85°C

Part number code: receptacles.

	RJF 5446	2	1
Shell type			
2: composite square flange receptacle			
2S: composite square flange receptacle transversally sealed			
2M: metallized (Ni) composite square flange receptacle			
2SM: metallized (Ni) composite square flange receptacle transversally sealed			
Back termination			
1: female RJ45			

- Examples:
- Square flange receptacle, female RJ45 back termination: RJF 5446 21
 - Metallized square flange receptacle, female RJ45 back termination: RJF 5446 2M 1
 - Transversally sealed receptacle, female RJ45 back termination: RJF5446 2S1

Part number code: plug.

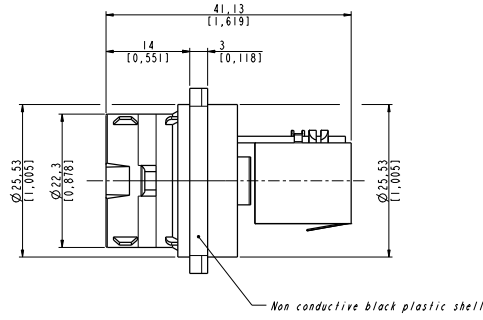
	RJF 544	6
Shell type		
6: composite push pull plug, plastic gland		

Cat5e version: page 13 of the Field series catalogue.

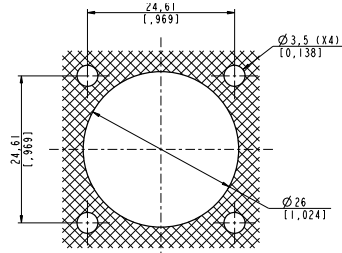
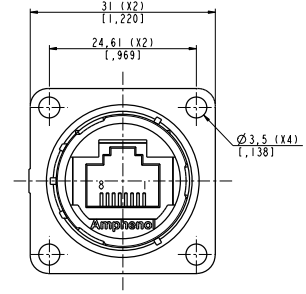
- ▶ [Direct access by clicking here](#)
- ▶ Or visit www.amphenol-socapex.com

Receptacle

- Type 2S/2M/2SM shell: square flange receptacle with 4 mounting holes

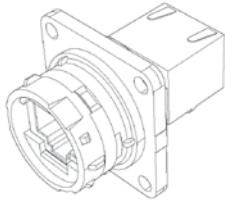


RJF 5446 2x 1



Panel drilling

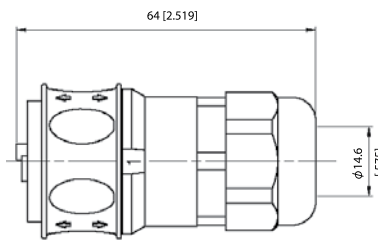
Back termination



Type1: female RJ45

Plug

- Type 6 shell with plastic gland p/n **RJF544 6**



RJF 544 6

Accessories

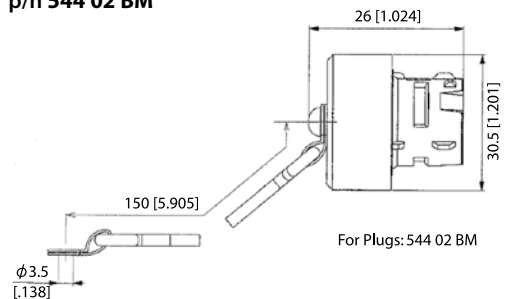
- Rubber IP68 receptacle cap p/n **RJF 544BESC**



- Panel gasket p/n **RJF 544 02JE**



- IP68 caps for plug p/n **544 02 BM**



- Panel gasket (thickness: 0.6mm [0.039]): p/n **RJF 544 02 JE**
- Plug Insert removal tool: p/n **5440 OT 02**

RJF6

CAT6 Ethernet connection system for harsh environment – Industrial Ethernet



RJF Cat6 allows you to use an Ethernet Class E / Cat. 6 connection for 10 BaseT, 100 BaseTX or 1000 BaseT up to 250 MHz networks in harsh environments. With the patented RJStop® system you can use a standard RJ45 cordset in a **metallic** plug which will protect it from shocks, dust and fluids.
No hazardous on-field cabling and grounding!

- Applications**
- Robotics
 - Industrial process control
 - CNC machines
 - Special machines
 - Oil & Gas
 - Motion control
 - Data acquisition and transmission in harsh environment
 - Tele-maintenance

Data transmission
 10 BaseT, 100 BaseTX and 1000 BaseT up to 250 MHz networks
 Cat 6 per EIA/TIA 568 and ClassE per ISO11801

Cat5e version: page 17 of the Field series catalogue.
 ▶ [Direct access by clicking here](#)
 ▶ Or visit www.amphenol-socapex.com

- Main characteristics**
- Compliant with IEC 60603-7 variante 11
 - **Bayonet coupling** (“Audible & Visual” coupling signal)
 - **Robust metallic shells based on MIL-DTL-26482 H - Shell size 18**
 - RJ45 cordset retention in the plug: 100 N in the axis
 - Mating cycles: 500 min
 - Sealed against fluids and dust (IP68)
 - Shock, vibration and traction resistant
 - No cabling operation in field and no tools required
 - Mechanical coding / polarization (4 positions)
 - Compatible with cable diameter from 6 mm [0.236 in] to 13 mm [0.512 in]
 For smaller diameters, please consult us.
- Environmental protection**
- Sealing: IP68
 - Salt spray: 48 h with nickel plating
 > 96 h with black coating
 < 500 h with olive drab cadmium
 - Fire retardant/Low smoke: UL94 V0 and NF F 16 101 & 16 102
 - Vibrations: 10-500Hz, 10g, 3 axes: no discontinuity >10 nano s
 - Shocks: IK06 ▶ weight of 250 g drop from 40cm [15.75 in] onto connectors (mated pair)
 - Humidity: 21 days, 43°C, 98% humidity
 - Thermal shock: 5 cycles at -40°C / +100°C
 - Temperature range: -40°C / +85°C

Part number code: receptacles.

	RJF6	2	A	PE	1	B
Shell type						
2: square flange receptacle						
7: jam nut receptacle						
<i>Nota: also available a transversally sealed receptacle (unmated) ▶ see page 13</i>						
Coding						
A, B, C, or D						
Backshells						
PE: IP68 backshell, plastic gland						
PEM: IP68 backshell, metal gland						
Blank for receptacles without backshell						
Back termination						
1: female RJ45						
Shell finishes						
B: black Coating - ROHS compliant						
N: nickel - ROHS compliant						
G: olive drab cadmium						
BZC: aluminium shell - black zinc cobalt plating						
ZC: aluminium shell - green zinc cobalt plating - ROHS compliant						
<i>NOTA: for N,G, BZC, and ZC plating, the inserts are metallized.</i>						

Example: square flange receptacle, coding A, female RJ45 back termination, black plating ⇒ RJF6 2 A 1 B

Part number code: plug ▶ see page 11.

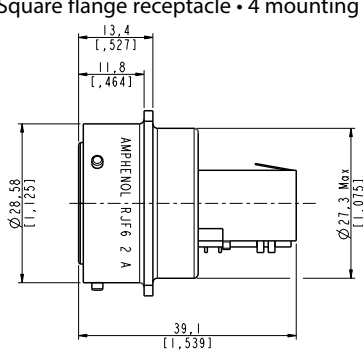
	RJF	6	B
Shell type			
6: plug, plastic gland			
6M: plug, metal gland			
Shell finishes			
B: black Coating - ROHS compliant			
N: nickel (note: with this version, the inserts are metallized) - ROHS compliant			
G: olive drab cadmium (note: with this version, the inserts are metallized)			
BZC: aluminium shell - black zinc cobalt plating			
ZC: aluminium shell - green zinc cobalt plating - ROHS compliant			

Example: plug with metal gland, nickel plating ⇒ RJF 6M N

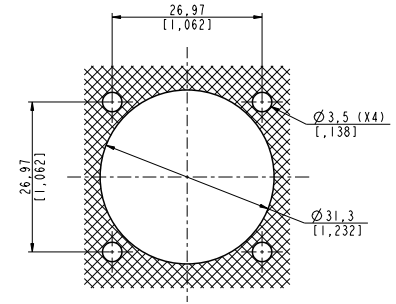
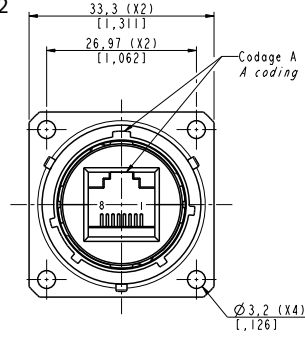
NOTA: also available a plug with 360° EMI backshell, and a plug for big insulation wire up to 1.6mm ▶ see pages 16 & 17.

Receptacles

■ Square flange receptacle • 4 mounting holes: shell type 2

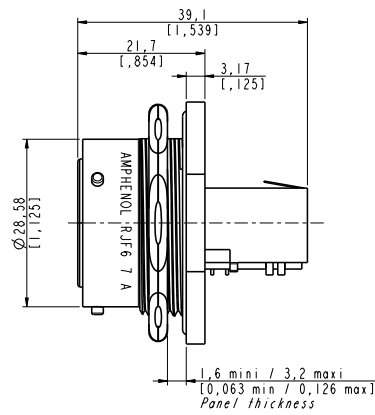


RJF6 2 X 1 X (Straight Female RJ45)

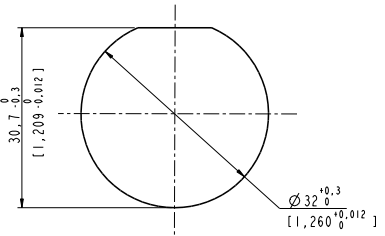
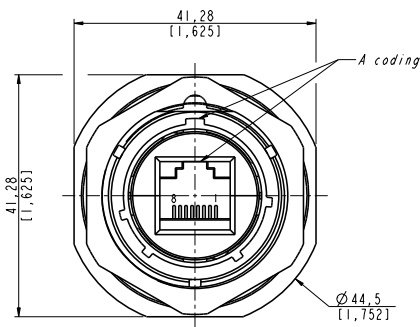


Panel Drilling

■ Jam nut receptacle • Hexagonal nut mounting: shell type 7

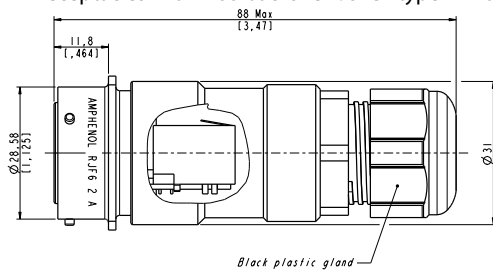


RJF6 7 x 1 X (straight female RJ45)

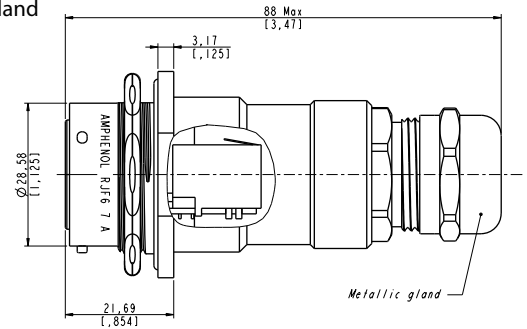


Panel drilling

■ Receptacles with IP68 backshell : shell type 2PE and 7PE with plastic or metal gland

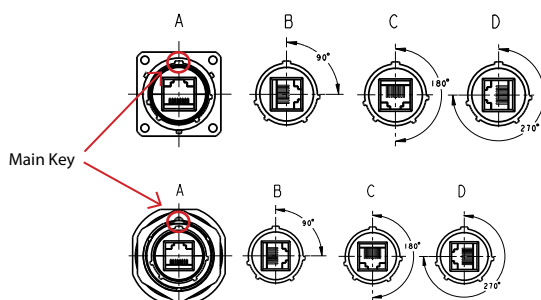


RJF6 2 X PE 1 X / 2 X PEM 1 X

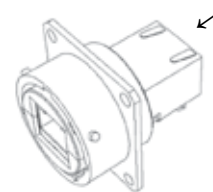


RJF6 7 X PE 1 X / 7 X PEM 1 X

Codings - To be specified in the part number: A, B, C, or D.



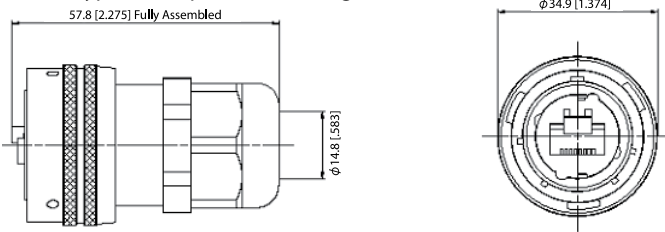
Back termination



Type 1
Female RJ45

Plug

- Shell type 6 with plastic or metal gland

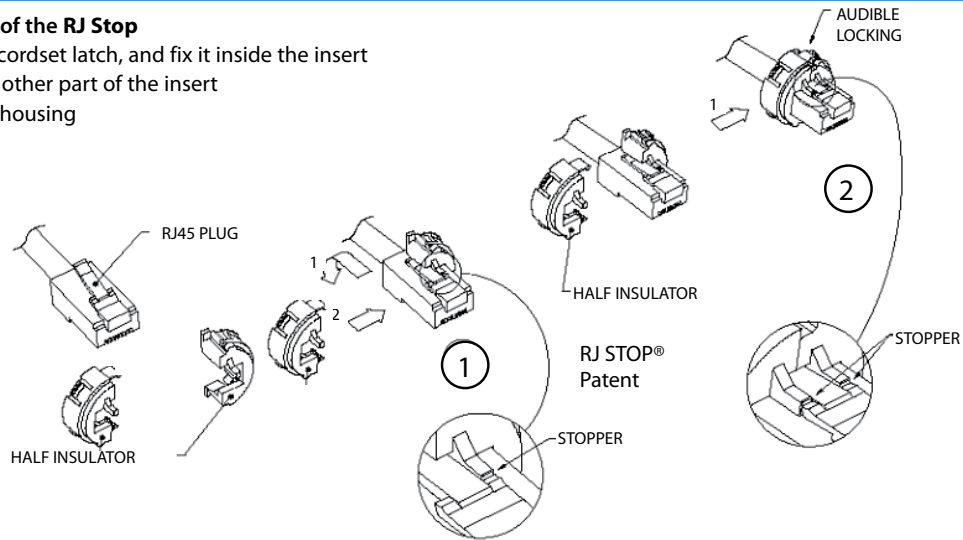


NOTA: also available a plug with 360° EMI backshell, and a plug for big insulation wire up to 1.6mm
▶ see pages 16 & 17.

Universal: can be used with all standard RJ45 Cat. 6 cordset brands.

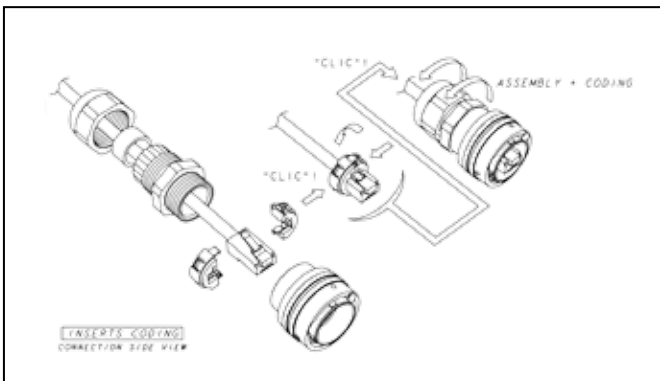
Assembly instructions of the RJ Stop

1. Push down the RJ45 cordset latch, and fix it inside the insert
2. Press in and click the other part of the insert
3. Insert in the metallic housing



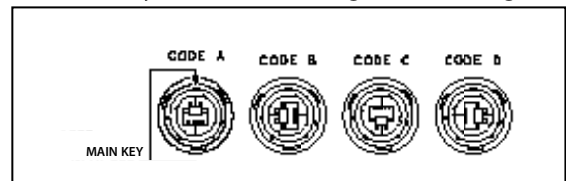
Easy and safe - No field cabling tools required for cabling

Assembling of the plug.



4 codings possibilities

(defined by the customer during the assembling).



IMPORTANT NOTE: to remove the insert, use the

- Insert removal tool for plug

P/N: RJF ODE



Accessories

- Metallic cap

RJFC 2 G

Connector type

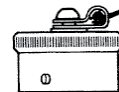
- 6: plug
- 2: square Flange Receptacle
- 7: jam Nut Receptacle

Shell material & finish

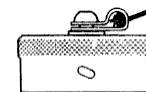
- B: black coating - ROHS compliant
- N: aluminium shell - nickel plating - ROHS compliant
- G: aluminium shell - olive drab cadmium plating

- Panel gasket for square flange 2 »thickness - 0,6 mm

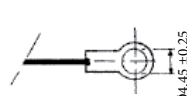
P/N: JE 18



Plug cap



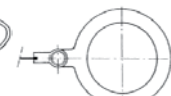
Receptacle cap



Square Flange type « 2 »



Plug Cap end type « 6 »



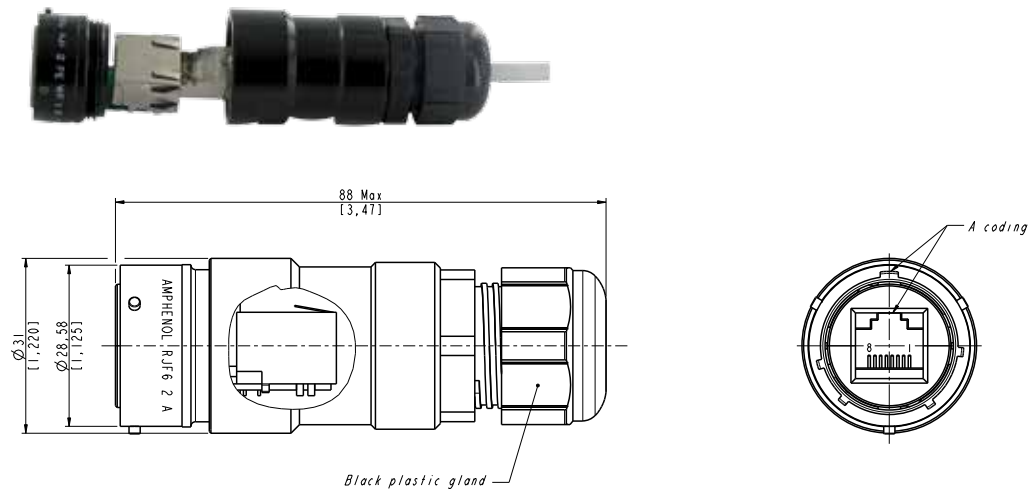
Jam nut receptacle type « 7 »

RJF6

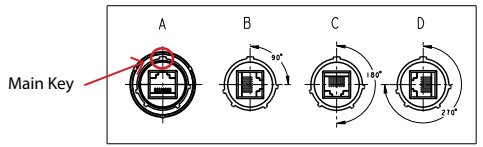
CAT6 in line receptacle

In line receptacles allow you to make cable extensions in the field by using them with rugged RJ Field series plugs.

In line receptacle



Codings - To be specified in the part number: A, B, C, or D.



Part number	Plating	Plastic gland	Metallic gland
	Black coating - ROHS compliant	RJF6 2 X PEWF1 B	RJF6 2 X PEMWF 1 B
	Nickel - ROHS compliant	RJF6 2 X PEWF 1 N	RJF6 2 X PEMWF 1 N
	Olive drab cadmium	RJF6 2 X PEWF 1 G	RJF6 2 X PEMWF 1 G

X to be replaced by the letter of the coding position you need (A, B, C, or D)

Cat5e version: page 20 of the Field series catalogue.
 ▶ [Direct access by clicking here](#)
 ▶ Or visit www.amphenol-socapex.com

RJF6

CAT6 transversally sealed receptacles



In some applications, a transversal sealing for the receptacle is a « must ». This will prevent fluids and dust from going through the receptacle when plug or cap are not mated to the receptacle.

The sealed solution (version "S") has a compound at the rear of the receptacle as shown on the picture. This feature is available both in RJF and RJF TV shells (please consult the relevant data sheet for product details and accessories).

In addition, the Sealed RJF TV has been successfully tested in very high vibration corresponding to airplane applications.

Applications

- Outdoor equipment
- Airplanes equipment
- Tactical radios
- Shelters
- Rugged computers
- Data acquisition and transmission in harsh environments

Data transmission

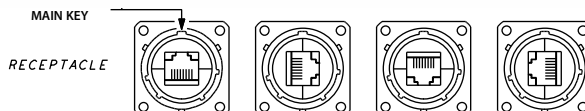
10 BaseT, 100 BaseTX and 1000 BaseT up to 250 MHz networks
Cat 6 per EIA/TIA 568 and ClassE per ISO 11801

Main characteristics

- Same as the RJF series.
- A complete IP68 sealing of the receptacle (even with no plug or no protective cap mated) is added.
- Outside dimensions are the same as the standard RJF series.

IMPORTANT NOTE

Due to the compound, the coding of the connector must be done in the factory: use the codes A, B, C or D in the part number: **see below**.



Part number code

	RJF6	7 S	A	PE	1	G
Shell type 2 S: sealed square flange receptacle 7 S: sealed jam nut receptacle						
Coding A, B, C, D						
Backshells PE: IP68 backshell, plastic gland PEM: IP68 backshell, metal gland Blank for receptacle without backshell.						
Back termination 1: female RJ45						
Shell material & finishes B: aluminium shell - black coating - ROHS compliant N: aluminium shell - nickel plating - ROHS compliant G: aluminium shell - olive drab cadmium plating						
				BZC: aluminium shell - black zinc cobalt plating ZC: aluminium shell - green zinc cobalt plating - ROHS compliant <i>NOTA: for N, G, BZC, and ZC plating, the inserts are metallized.</i>		

Examples: - sealed jam nut receptacle, A coding, with female RJ45 back termination, olive drab cadmium plating ⇒ **RJF6 7 S A 1 G**
- sealed square flange receptacle, D coding, with IP68 backshell, plastic gland, female RJ45 back termination, black plating ⇒ **RJF6 2 S D PE 1 B**

Cat5e version: page 22 of the Field series catalogue.

- ▶ [Direct access by clicking here](#)
- ▶ Or visit www.amphenol-socapex.com

RJF6

CAT6 hermetic receptacles



In some applications, a transversal hermeticity for the receptacle is a « must ». This will prevent gas from going through the receptacle when plug or cap are not mated to the receptacle.

The hermetic solution (version "H") has a compound at the rear of the receptacle as shown on the picture.

This feature is available both in RJF and RJF TV shells (please consult the relevant data sheet for product details and accessories).

Helium leakage is less than 1.10^{-6} cm³ per second [0.1 micron cubic ft per hour] at one bar [15 psi] pressure differential.

Applications

- Outdoor equipment
- Airplanes equipment
- Tactical radios
- Shelters
- Rugged computers
- Data acquisition and transmission in harsh environments

Data Transmission

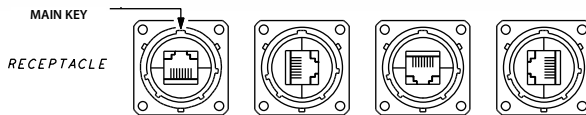
10 BaseT, 100 BaseTX and 1000 BaseT up to 250 MHz networks
Cat 6 per EIA/TIA 568 and ClassE per ISO 11801

Main characteristics

- Same as the RJF series.
- A complete IP68 sealing of the receptacle (even with no plug or no protective cap mated) is added.
- Outside dimensions are the same as the standard RJF series.

IMPORTANT NOTE

Due to the compound, the coding of the connector must be done in the factory: use the codes A, B, C or D in the part number: **see below**.



Part number code

	RJF6	7H	A	2	G
Shell type					
2H: transversally sealed and hermetic square flange receptacle					
7H: transversally sealed and hermetic jam nut receptacle					
Coding					
A,B,C,D					
Back termination					
1: female RJ45					
Shell material & finish					
B: aluminium shell - black coating - <i>ROHS compliant</i>					
N: aluminium shell - nickel plating - <i>ROHS compliant</i>					
G: aluminium shell - olive drab cadmium plating					
			BZC: aluminium shell - black zinc cobalt plating		
			ZC: aluminium shell - green zinc cobalt plating - <i>ROHS compliant</i>		
			NOTA: for N, G, BZC, and ZC plating, the inserts are metallized.		

Examples: - sealed jam nut receptacle, A coding, with female RJ45 Back termination, olive drab cadmium plating ⇒ **RJF6 7HA 1 G**
- sealed square flange receptacle, A coding, with female RJ45 back termination, black plating ⇒ **RJF6 2HA 1 B**

Cat5e version: page 23 of the Field series catalogue.

- ▶ [Direct access by clicking here](#)
- ▶ Or visit www.amphenol-socapex.com

RJF CAT6 receptacle with self closing cap

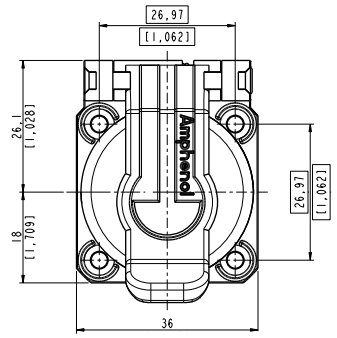
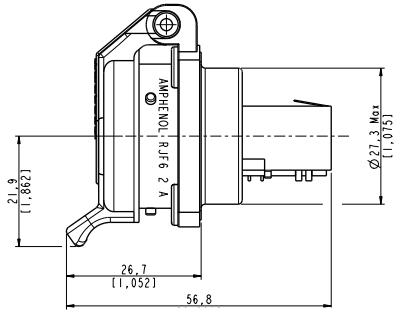


This kit includes a receptacle and a Self Closing Cap which protects the RJ Field square flange receptacles (MIL-C-26482 type). This cap offers a protection against dust and water projections. A spring automatically closes the upper part of the cap when either the RJfield plug, USB or IEEE1394 cordset, or USB key are removed from the receptacle.

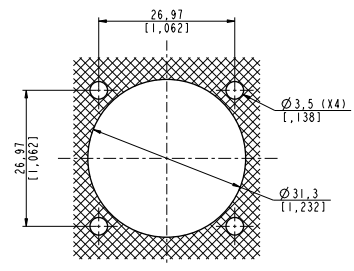
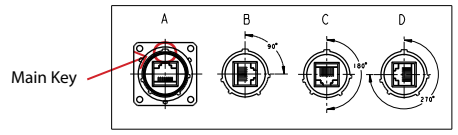
Sealing level IP54
(Splash and dust Proof)

RJF6 2 x 1 x SCC

RJ45 version



Codings - To be specified in the part number: A, B, C, or D.



Part number*	Plating	Metallized insert (EMI)	Part number
	Black coating - ROHS compliant	No	RJF6 2 X 1 B SCC
	Nickel - ROHS compliant	Yes	RJF6 2 X 1 N SCC
	Olive drab cadmium	Yes	RJF6 2 X 1 G SCC

* The part number includes the receptacle + the self closing cap
X to be replaced by the letter of the coding position you need (A, B, C, or D)

Remarks:

- the back termination is female RJ45
- it could be used with our RJF series plug (part number RJF6xx ► see page 9)

■ **Note:** Panel gasket with any of these receptacles: **JE18**

Cat5e version: page 25 of the Field series catalogue.
► [Direct access by clicking here](#)
► Or visit www.amphenol-socapex.com

RJF

Plug with 360° EMI backshell

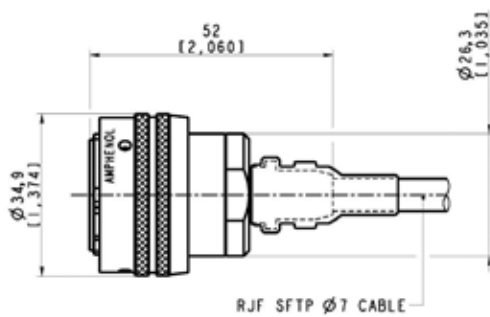
RJF series plug with EMI backshells provide a solution with 360° shielding: same protection than the one proposed by standard MIL-DTL-26482 connectors. With those solutions we recommend using our reinforced and double shielded Cat5E, Cat6, and Cat6A cable
 ▶ see page 27 for Cat6 version

Cat5E version: page 41 of the Field series catalogue ▶ [Direct access by clicking here](#)

Or visit www.amphenol-socapex.com

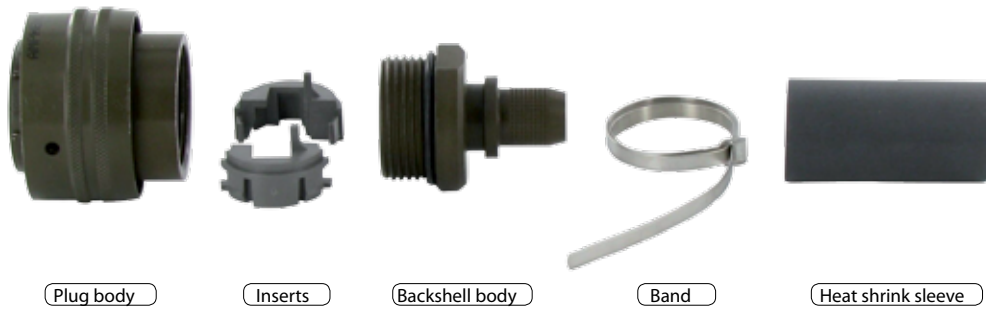
Cat6A version: page 43 of the Field series catalogue ▶ [Direct access by clicking here](#)

Plug - Straight backshell



Part number	Plating	Part number
	Nickel - ROHS compliant	Kit30394NI
	Olive drab cadmium	Kit30394

Kit30394 & Kit30394NI include:



RJF

Special plug for big insulation wire up to 1.6 mm [0.062 in]



Rugged plug dedicated to cable with insulation wire from 1,1 to 1,6 mm [from 0.043 in to 0.062 in]

Remark:

- Solution compatible with any RJF6 receptacle
- For cables which are not compatible with standard RJ45 plug.

Applications

- Robotics
- Industrial process control
- CNC machines
- Special machines
- Oil & Gas
- Motion control
- Data acquisition and transmission in harsh environment
- Tele-maintenance

Data Transmission

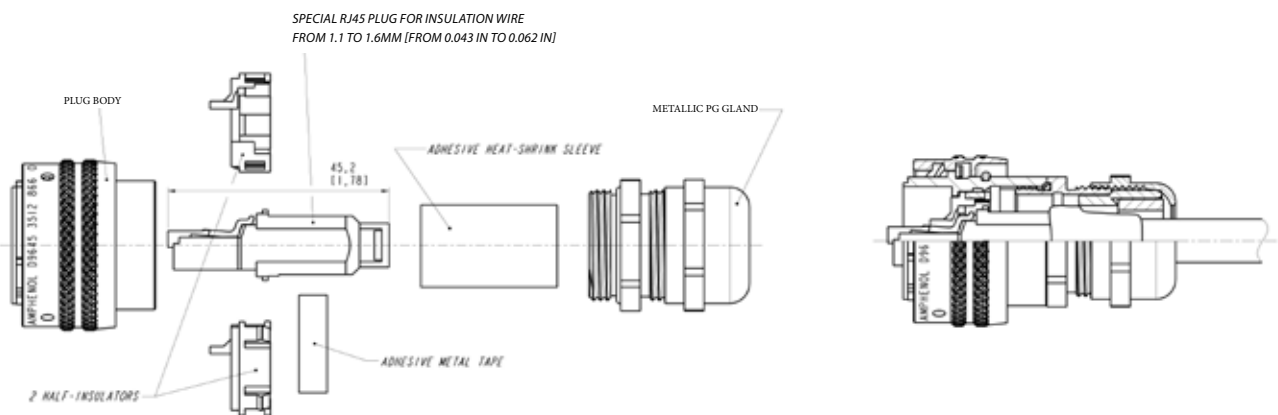
10 BaseT, 100 BaseTX and 1000 BaseT up to 250 MHz networks
 Cat 6 per EIA/TIA 568 and ClassE per ISO 11801

Main characteristics

- **Bayonet coupling** ("Audible & Visual" coupling signal)
- **Robust metallic shells based on MIL-DTL-26482 H - Shell size 18**
- RJ45 cordset retention in the plug: 100 N in the axis
- Mating cycles: 500 min
- Sealed against fluids and dust (IP68)
- Shock, vibration and traction resistant
- Mechanical coding / polarization (4 positions)
- Compatible with cable diameter from 6 mm [0.216 in] to 13 mm [0.512 in]. For smaller diameters, please consult us.

Environmental protection

- Sealing: IP68
- Salt Spray: 48 h with nickel plating
 > 96 h with black coating
 > 500 h with oliv drab cadmium
- Fire retardant/Low smoke: UL94 V0 and NF F 16 101 & 16 102
- Vibrations: 10 – 500 Hz, 10 g, 3 axes: no discontinuity >10 nano s.
- Shocks: IK06 ► weight of 250 g drop from 40 cm [15.75 in] onto connectors (mated pair)
- Humidity: 21 days, 43°C, 98% humidity
- Thermal shock: 5 cycles at - 40°C / +100°C
- Temperature range: - 40°C / +85°C



Part number	Plating	Part number
	Nickel - ROHS compliant	Kit39992NI
	Olive drab cadmium	Kit39992G

RJF TV6

CAT6 Ethernet connection system for harsh environment



- Applications**
- Data acquisition and transmission in harsh environment
 - Railways
 - Radars
 - Shelters
 - Battlefield communication
 - Systems
 - Navy

Data Transmission
10 BaseT, 100 BaseTX and 1000 BaseT up to 250 MHz networks
Cat 6 per EIA/TIA 568 and ClassE per ISO 11801

Cat5e version: page 26 of the Field series catalogue.
▶ [Direct access by clicking here](#)
▶ Or visit www.amphenol-socapex.com

RJFTV Cat6 allows you to use an Ethernet Class E / Cat. 6 connection for 10 BaseT, 100 BaseTx or 1000 BaseT up to 250 MHz networks in harsh environments. With the patented RJStop system you can use a standard RJ45 cordset in a **metallic** plug which will protect it from shocks, dust and fluids.
No hazardous on-field cabling and grounding!

- Main characteristics**
- Sealed against fluids and dusts (IP68)
 - Shock, vibration and traction resistant
 - No cabling operation in field and no tools required
 - Mechanical coding / Polarization (4 positions)
 - Improved EMI protection
 - **Tri Start Thread coupling mechanism (MIL-DTL-38999 series III type) with anti-decoupling device - Shell size 19**
 - **Robust metallic shells**
 - RJ45 cordset retention in the plug: 100 N in the axis
 - Mating cycles: 500 min
 - Compatible with cable diameter from 6 mm [0.236 in] to 13 mm [0.512 in]. For smaller diameters please consult us.
- Environmental protection**
- Sealing: IP68
 - Salt spray: 48h with aluminium shell - Nickel, & black zinc cobalt plating
> 500h with aluminium shell - Olive drab cadmium plating
500 h with marine bronze shell
 - Fire retardant/Low smoke : UL94 V0 and NF F 16 101 & 16 102
 - Vibrations : 10 - 500 Hz, 10 g, 3 axes: no discontinuity > 10 nano s.
 - Compounded versions tested per NAS 1599 (5-3000 Hz, 20g, 12h)
 - Shocks: IK06 ▶ weight of 250 g drop from 40 cm [15.75 in] onto connectors (mated pair)
 - Humidity: 21 days, 43°C, 98% humidity
 - Thermal shock: 5 cycles at -40°C / +100°C
 - Temperature range: -40°C / +85°C

Part number code: receptacles.

	RJF TV6	2	A	PEM	1	G
Shell type						
2: square flange receptacle						
7: jam nut receptacle						
<i>Nota: also available a transversally sealed receptacle (unmated) ▶ See page 22</i>						
Coding						
A, B, C, or D						
Backshells						
PE: IP68 backshell, plastic gland						
PEM: IP68 backshell, metal gland						
Blank for receptacles without backshell						
Back terminations						
1: female RJ45						
Shells material & Finish (inserts are metallized)						
N: aluminium shell - nickel plating - ROHS compliant						BZC: aluminium shell - black zinc cobalt plating
G: aluminium shell - olive drab cadmium plating						ZC: aluminium shell - green zinc cobalt plating - ROHS compliant
BZ: marine bronze shell - ROHS compliant						ZN: aluminium shell - black zinc nickel plating - ROHS compliant

Example: jam nut receptacle, coding A, female RJ45 back termination, olive drab cadmium plating ⇒ RJF TV6 7 A 1 G

Part number code: plugs ▶ see page 20.

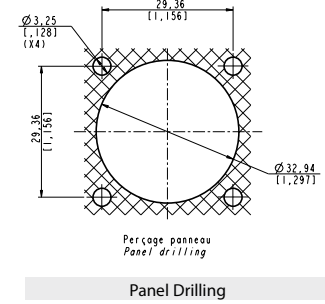
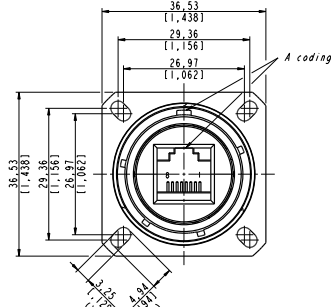
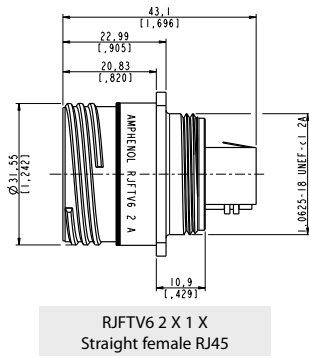
	RJF TV	6	G
Shell type			
6: plug with plastic gland			
6M: plug with metal gland			
Shells material & Finish (inserts are metallized)			
N: aluminium shell - nickel plating - ROHS compliant			BZC: aluminium shell - black zinc cobalt plating
G: aluminium shell - olive drab cadmium plating			ZC: aluminium shell - green zinc cobalt plating - ROHS compliant
BZ: marine bronze shell - ROHS compliant			ZN: aluminium shell - black zinc nickel plating - ROHS compliant

Example: plug with plastic gland, olive drab cadmium plating ⇒ RJF TV 6G

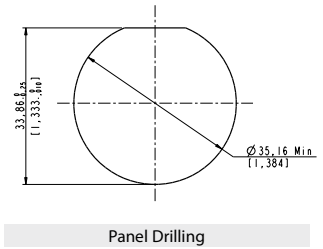
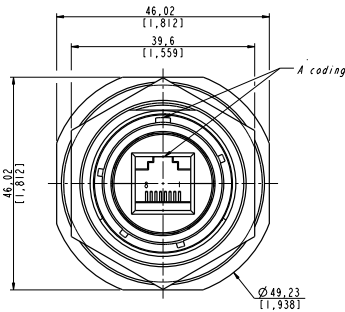
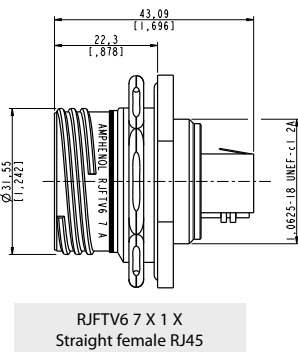
NOTA: also available a plug with 360° EMI backshell, and a plug for big insulation wire up to 1.6mm ▶ see pages 24 & 25.

Receptacles

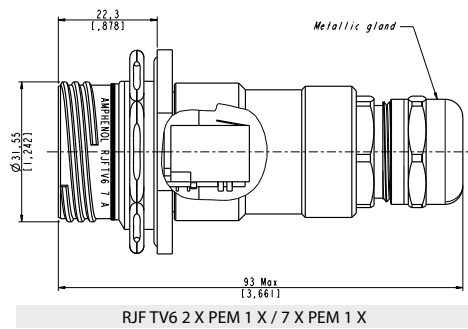
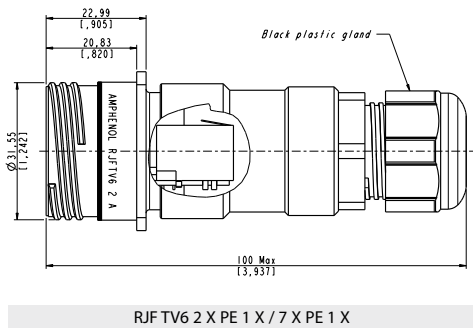
■ Square flange receptacle - 4 mounting holes: shell type 2



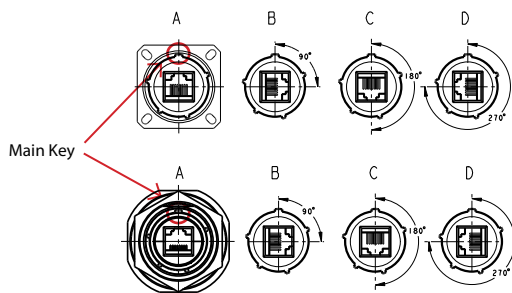
■ Jam nut receptacle - Hexagonal nut mounting: shell type 7



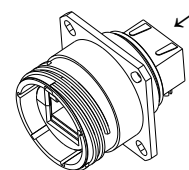
■ Receptacles with IP68 backshell: Shell type 2PE and 7PE with plastic or metal gland



Codings - To be specified in the part number: A, B, C, or D.



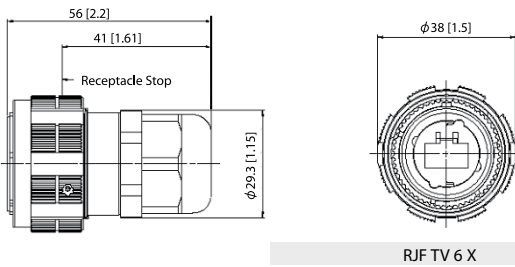
Back terminations



Type 1
Female RJ45

Plug

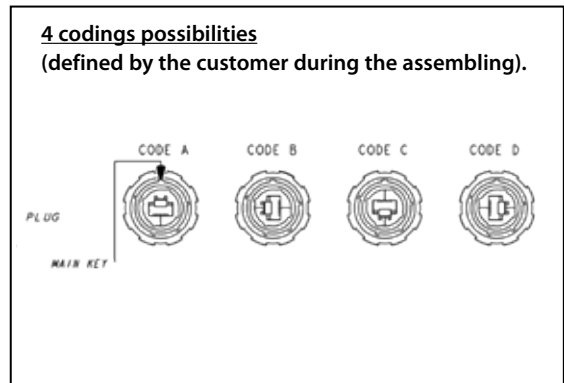
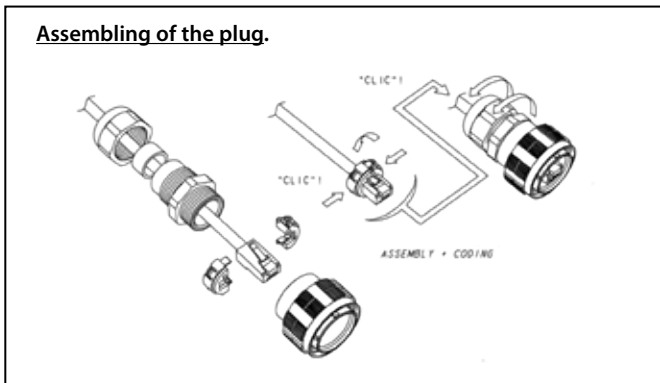
- Shell type 6 with plastic or metal gland



NOTA: also available a plug with 360° EMI backshell, and a plug for big insulation wire up to 1.6mm
▶ see pages 24 & 25.

Assembly instructions

Insert codings



IMPORTANT NOTE: to remove the insert, use the

- Insert removal tool for plug

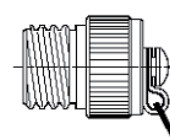
P/N: **RJF ODE**



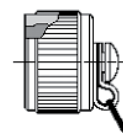
Accessories

- Metallic Caps

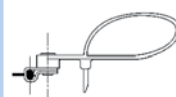
	RJFTVC	2	G
Connector type			
6: plug			
2: square flange receptacle			
7: jam nut receptacle			
Shell material & finish			
N: aluminium shell - nickel plating - ROHS compliant			
G: aluminium shell - olive drab cadmium plating			
BZ: marine bronze shell - ROHS compliant			
ZC: aluminium shell - green zinc cobalt plating - ROHS compliant			
ZN: aluminium shell - black zinc nickel plating - ROHS compliant			



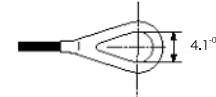
Plug Cap



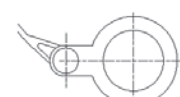
Receptacle Cap



Plug Cap end



Square flange receptacle cap end



Jam Nut receptacle cap end

- Panel gasket for square flange receptacle

Thickness: 0,8 mm [.031]:

P/n: **JE19**

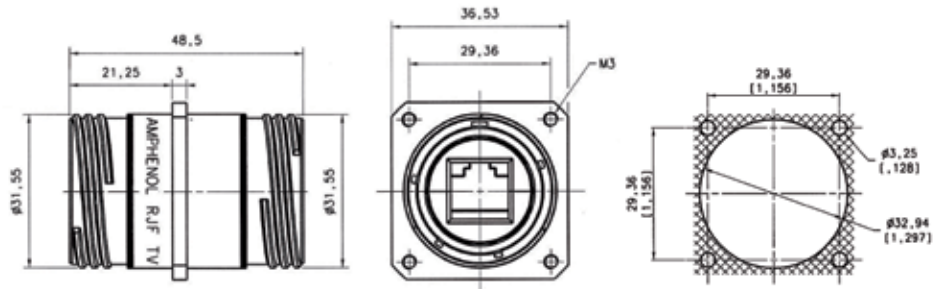


RJF TV6

CAT6 through bulkhead receptacles

Our RJFTV Cat6 through bulkhead receptacles can be connected on each side with rugged RJFTV plugs. This system allows mechanical protection and a sealing (IP68 when mated) inside and outside the equipment, and keeps the flexibility offered by panel mount and plug connectors. They can be connected with RJFTV series plugs.

Square flange receptacle

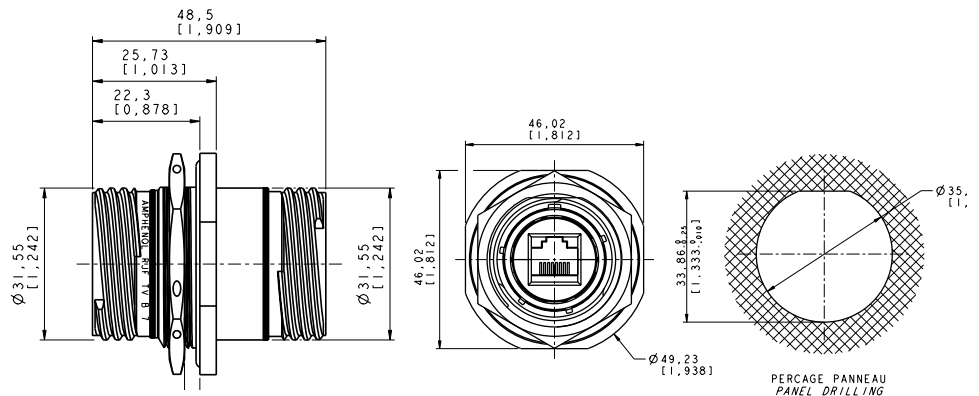


Part number	Plating	Metallized insert	For coding A
	Nickel - ROHS compliant	No	RJF TV6 B 2 N ISO BRUT *
	Nickel - ROHS compliant	Yes	RJF TV6 B 2 N ISO NI *
	Olive drab cadmium	No	RJF TV6 B 2 G ISO BRUT *
	Olive drab cadmium	Yes	RJF TV6 B 2 G ISO NI *

* ISO BRUT = non conductive insert
ISO NI = conductive insert

IMPORTANT NOTE
Possibility of other codings - Please consult us

Jam nut receptacle



Part number	Plating	Metallized insert	Part number
	Nickel - ROHS compliant	No	RJF TV6 B 7 N ISO BRUT *
	Nickel - ROHS compliant	Yes	RJF TV6 B 7 N ISO NI *
	Olive drab cadmium	No	RJF TV6 B 7 G ISO BRUT *
	Olive drab cadmium	Yes	RJF TV6 B 7 G ISO NI *

* ISO BRUT = non conductive insert
ISO NI = conductive insert

Cat5e version: page 32 of the Field series catalogue.
 ▶ [Direct access by clicking here](#) ▶ Or visit www.amphenol-socapex.com

RJF TV6

CAT6 transversally sealed receptacles



In some applications, a transversal sealing for the receptacle is a « must ». This will prevent fluids and dust from going through the receptacle when plug or cap are not mated to the receptacle.

The sealed solution (version "S") has a compound at the rear of the receptacle as shown on the picture. This feature is available both in RJF and RJF TV shells (please consult the relevant data sheet for product details and accessories).

In addition, the Sealed RJF TV has been successfully tested in very high vibration corresponding to airplane applications.

Applications

- Outdoor equipment
- Airplanes equipment
- Tactical radios
- Shelters
- Rugged computers
- Data acquisition and transmission in harsh environments

Data transmission

10 BaseT, 100 BaseTX and 1000 BaseT up to 250 MHz networks
Cat 6 per EIA/TIA 568 and ClassE per ISO 11801

Main characteristics

- Same as the RJF TV series.
- A complete IP68 sealing of the receptacle (even with no plug or no protective cap mated) is added.
- Outside dimensions are the same as the standard RJF and RJF TV series.
- Vibrations: the compounded versions of the RJF TV have been tested in vibration following the NAS 1599 Aeronautic specification (Ambient temperature):
5 - 3000 Hz, 20g, 2,5 mm [.1 inch] double amplitude, 3 axes, 12 hours
Note: this specification exceeds MIL-C-26500 requirements.

IMPORTANT NOTE

Due to the compound, the coding of the connector must be done in the factory : use the codes A, B, C or D in the part number: **see below**.



Part number code

	RJF TV6	7S	A	2	G
Shell type					
2S: sealed square flange receptacle					
7S: sealed jam nut receptacle					
Coding					
A,B,C,D					
Back terminations (for receptacles only)					
1: female RJ45					
Shell material & finish (inserts are metallized)					
N: aluminium shell - nickel plating - ROHS compliant					
G: aluminium shell - olive drab cadmium plating					
BZ: marine bronze shell - ROHS compliant					
			BZC: aluminium shell - black zinc cobalt plating		
			ZC: aluminium shell - green zinc cobalt plating - ROHS compliant		
			ZN: aluminium shell - black zinc nickel plating - ROHS compliant		

Examples: - sealed jam nut receptacle, A coding, with female RJ45 back termination, olive drab cadmium plating ⇒ **RJF TV6 7SA 1 G**
- sealed square flange receptacle, A coding, with female RJ45 back termination, nickel plating ⇒ **RJF TV6 2SA 1 N**

Cat5e version: page 36 of the Field series catalogue.

- ▶ [Direct access by clicking here](#)
- ▶ Or visit www.amphenol-socapex.com

RJF TV6

CAT6 hermetic receptacles



In some applications, a transversal hermeticity for the receptacle is a « must ». This will prevent gas from going through the receptacle when plug or cap are not mated to the receptacle. The hermetic solution (version "H") has a compound at the rear of the receptacle as shown on the picture. This feature is available both in RJF and RJF TV shells (please consult the relevant data sheet for product details and accessories). Helium leakage is less than 1.10^{-6} cm³ per second [0.1 micron cubic ft per hour] at one bar [15 psi] pressure differential.

Applications

- Outdoor equipment
- Airplanes equipment
- Tactical radios
- Shelters
- Rugged computers
- Data acquisition and transmission in harsh environments

Data Transmission

10 BaseT, 100 BaseTX and 1000 BaseT up to 250 MHz networks
Cat 6 per EIA/TIA 568 and ClassE per ISO 11801

Main characteristics

- Same as the RJF TV series.
- A complete IP68 sealing of the receptacle (even with no plug or no protective cap mated) is added.
- Outside dimensions are the same as the standard RJF TV series.
- Vibrations: the compounded versions of the RJF TV have been tested in vibration following the NAS 1599 Aeronautic specification (Ambient temperature):
5 - 3000 Hz, 20g, 2,5 mm [.1 inch] double amplitude, 3 axes, 12 hours
Note: this specification exceeds MIL-C-26500 requirements.

IMPORTANT NOTE

Due to the compound, the coding of the connector must be done in the factory: use the codes A, B, C or D in the part number: **see below**.



Part number code

	RJF TV6	7H	A	2	G
Shell type					
2H: transversally sealed and hermetic square flange receptacle					
7H: transversally sealed and hermetic jam nut receptacle					
Coding					
A,B,C,D					
Back terminations (for receptacles only)					
1: female RJ45					
Shell material & finish (inserts are metallized)					
N: aluminium shell - nickel plating - ROHS compliant					
G: aluminium shell - olive drab cadmium plating					
BZ: marine bronze shell - ROHS compliant					
			BZC: aluminium shell - black zinc cobalt plating		
			ZC: aluminium shell - green zinc cobalt plating - ROHS compliant		
			ZN: aluminium shell - black zinc nickel plating - ROHS compliant		

Examples: - sealed jam nut receptacle, A coding, with female RJ45 Back termination, olive drab cadmium plating ⇒ **RJF TV6 7HA 1 G**
- sealed square flange receptacle, A coding, with female RJ45 back termination, nickel plating ⇒ **RJF TV6 2HA 1 N**

Cat5e version: page 37 of the Field series catalogue.

- ▶ [Direct access by clicking here](#)
- ▶ Or visit www.amphenol-socapex.com

RJF TV

Plug with 360° EMI backshells

RJFTV series plugs with EMI backshells provide a solution with 360° shielding: same protection than the one proposed by standard MIL-DTL-38999 series III connectors.

With those solutions we recommend using our reinforced and double shielded Cat5E, Cat6, and Cat6A cable.

► see page 27 for Cat6 version

Cat5E version: page 41 of the Field series catalogue ► [Direct access by clicking here](#)

Or visit www.amphenol-socapex.com

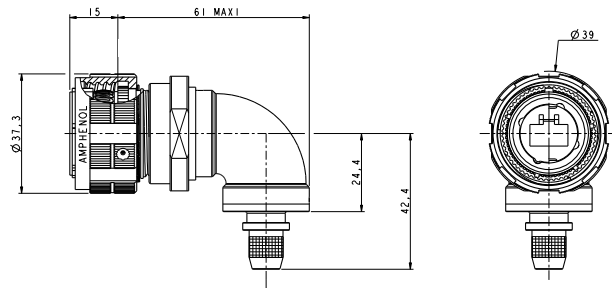
Cat6A version: page 43 of the Field series catalogue ► [Direct access by clicking here](#)

Plug - Straight backshell



Part number	Plating	P/N
	Nickel - ROHS compliant	Kit38081NI
	Olive drab cadmium	Kit38081
	Green zinc cobalt - ROHS compliant	Kit38081ZC
	Black zinc cobalt - ROHS compliant	Kit38081ZN

Plug - Right angle backshell



Part number	Plating	P/N
	Nickel - ROHS compliant	Kit40792NI
	Olive drab cadmium	Kit40792
	Green zinc cobalt - ROHS compliant	Kit40792ZC
	Black zinc cobalt - ROHS compliant	Kit40792ZN

Kit38081 and Kit40792 include:

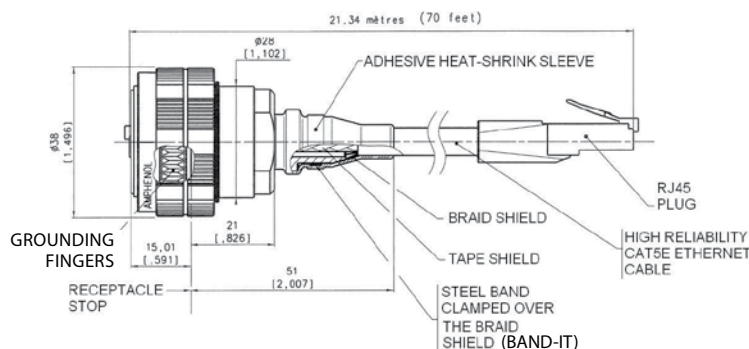


IMPORTANT NOTE

With these plugs, the standard RJ45 plug is not provided. Customer will have to crimp a standard RJ45 on the cable by himself.

Remark: we advise using our double shielded, reinforced Cat6 cables (see page 27) with these RJFTV series EMI connectors. If customer wants to use his own cable, please check with us regarding compatibility with our backshells: contact@rjfield.com. We also provide assembled cordsets (**see example below**). For this type of solution please provide the configuration needed: length, description of second end...

Example of assembled cordset:



RJF TV

For big insulation wire up to 1.6 mm



Special RJF TV plug dedicated to Ethernet cable with insulation wire from 1,1 to 1,6 mm.

Remark:

- compatible with any RJF TV receptacle
- for cables which are not compatible with standard RJ45 plug

Applications

- Robotics
- Industrial process control
- CNC machines
- Special machines
- Oil & Gas
- Motion control
- Data acquisition and transmission in harsh environment
- Tele-maintenance

Data Transmission

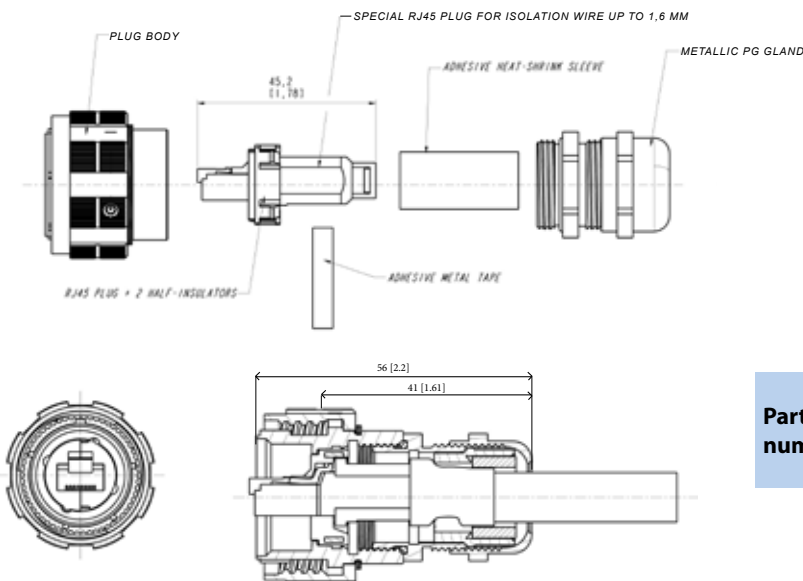
10 BaseT, 100 BaseTX and 1000 BaseT up to 250 MHz networks
 Cat 6 per EIA/TIA 568 and ClassE per ISO 11801

Main characteristics

- Sealed against fluids and dusts (IP68)
- Shock, vibration and traction resistant
- No cabling operation in field and no tools required
- Mechanical coding / Polarization (4 positions)
- Improved EMI protection
- **Tri Start Thread coupling mechanism (MIL-DTL-38999 series III type) with anti-decoupling device - Shell size 19**
- **Robust metallic shells**
- RJ45 cordset retention in the plug: 100 N in the axis
- Mating cycles: 500 min
- Compatible with cable diameter from 6 mm [0.236 in] to 13 mm [0.512 in], for smaller diameters please consult us

Environmental protection

- Sealing: IP68
- Salt spray: 48 h with nickel plating
 > 96 h with black coating
 > 500 h with olive drab cadmium
- Fire retardant/Low smoke: UL94 V0 and NF F 16 101 & 16 102
- Vibrations: 10 – 500 Hz, 10 g, 3 axes: no discontinuity > 10 nano s.
- Shocks: IK06 ► weight of 250 g drop from 40 cm [15.75 in] onto connectors (mated pair)
- Humidity: 21 days, 43°C, 98% humidity
- Thermal shock: 5 cycles at - 40°C / +100°C
- Temperature range: - 40°C / +85°C

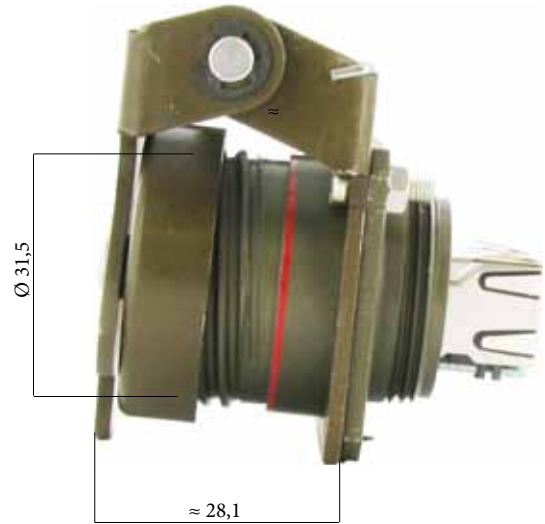
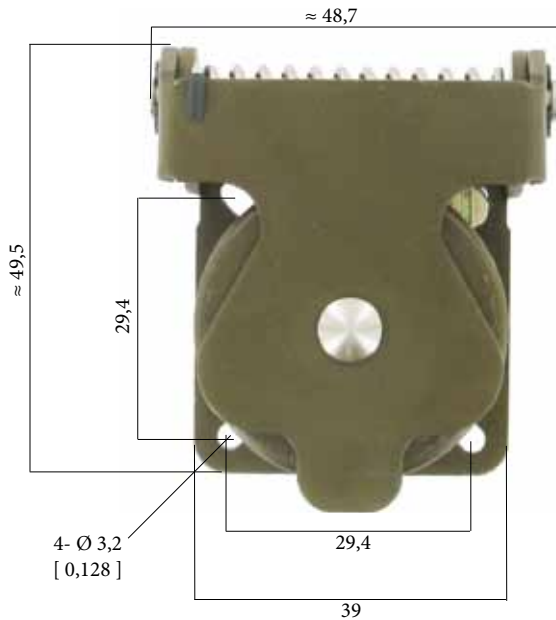


Part number	Plating	P/N
	Nickel - ROHS compliant	35660
Olive drab cadmium	35660G	

RJFTV

Self closing cap (SCC series) for RJFTV6 receptacles

This Self Closing cap automatically protects the RJF TV square flange receptacle (MIL-DTL-38999 type), protecting your system from dust and water projection. A spring automatically closes the upper part of the cap when the RJF TV plug is removed from the receptacle.



IMPORTANT NOTE

- Metal self closing cap are sold separately (without receptacle).
- This self closing cap must be used with reinforced RJFTV plugs.

Sealing level IP67



Part number	Plating	Part number
	Black coating - <i>ROHS compliant</i>	RJF TV SCC B
	Nickel - <i>ROHS compliant</i>	RJF TV SCC N
	Olive drab cadmium	RJFTV SCC G

Remark: compatible with RJFTV6 square flange receptacle type RJFTV6 2xxx only (see page 18).

CAT 6 CABLE

High reliability Cat 6 Ethernet cable & cordsets



General construction

A 4 pairs, 26 AWG, 100 Ohm SFTP round patch cable, designed to the ISO 11801 Category 6 requirements. The cable contains 4 twisted pairs individually shielded, cabled, double shielded with kevlar reinforcement strands, jacketed in black UV resistant Polyurethane HFFR. Designed for fixed or portable applications in harsh environments.

HFFR: Halogen Free Flame Retardant

Jacket compound specification:

- Halogen free flame retardant polyether-based polyurethane
- Excellent hydrolysis resistance
- High microbial resistance
- Glossy finish
- UV resistant
- High flexibility

Applications

- Robotics
- Motion control
- Railways
- CNC machines
- Battlefield communication
- Industrial process control

Electrical characteristics (at 20°C - 68°F)

DC Resistance	290 Ohm/Km
Impedance (100 MHz)	100 +/- 5 Ohm

Frequency	Insertion loss (dB/100m)	N.E.X.T. (Near-End Crosstalk Loss)
1 MHz	3.1 dB	75.3 dB min.
4 MHz	5.8 dB	66.3 dB min.
8 MHz	8.0 dB	61.8 dB min.
10 MHz	9.0 dB	60.3 dB min.
16 MHz	11.4 dB	57.2 dB min.
20 MHz	12.8 dB	55.8 dB min.
25 MHz	14.1 dB	54.3 dB min.
31.25 MHz	16.1 dB	52.8 dB min.
62.5 MHz	23.2 dB	48.4 dB min.
100 MHz	29.9 dB	45.3 dB min.
200 MHz	43.7 dB	40.8 dB min.
250 MHz	49.7 dB	39.3 dB min.

(According to IEC 61156-6)

Capacitance (1 kHz)	50nF/km nom.
Capacitance unbalance	1600 pF/km max.
Insulation resistance	5 GOhm/km
Voltage rating (peak)	230 V
Dielectric strength	VAC/1 min - 700 V/Min
Propagation delay	4.6 ns/m
Skew	45 ns/100m
Resistance unbalance	2%
Return loss (250 MHz)	15.6dB
Velocity of propagation	72% nom.

Reel of cable (without RJ45 plug on ends)

Length (m / ft)	Part number
100 m / ~328 ft	191-031179-00
300 m / ~984 ft	191-031179-01

Physical characteristics

Datas for the cable alone only (without RJ45 plug)

Conductors	26 AWG (0,14 mm ²) tinned copper
Insulation	Polyethylene Nom. Dia. 0,039" (1mm)
Assembly	Pairs cabled with Kevlar strength members and separation tape wrapped
Shields	Inner: aluminium mylar 100% coverage Outer: tinned copper braid 80% coverage
Jacket	Black, special PUR compound
Weight	36.9 lbs / mft (55 kg/km)
Outside diam.	0.272" (6.9 mm) nom.
Min bend radius (During installation)	72mm (10x O. D.)
Min bend radius (During operation)	36mm (5 x O.D.)
Min flexes to failure	Passes IEC 61156-6 requirements
Temperature	-40°C (-40°F) / + 85°C (185°F)

Cordsets with a RJ45 plug overmolded on each end

Length (m/ft)	Part number
0,75 m / 2,46 ft	RJF SFTP 6 0075
1,00 m / 3,28 ft	RJF SFTP 6 0100
1,50 m / 4,92 ft	RJF SFTP 6 0150
2,00 m / 6,56 ft	RJF SFTP 6 0200
2,50 m / 8,20 ft	RJF SFTP 6 0250
3,00 m / 9,84 ft	RJF SFTP 6 0300
3,50 m / 11,48 ft	RJF SFTP 6 0350
4,00 m / 13,12 ft	RJF SFTP 6 0400
4,50 m / 14,76 ft	RJF SFTP 6 0450
5,00 m / 16,40 ft	RJF SFTP 6 0500
6,00 m / 19,68 ft	RJF SFTP 6 0600
7,00 m / 22,96ft	RJF SFTP 6 0700
8,00 m / 26,24 ft	RJF SFTP 6 0800
9,00 m / 29,52 ft	RJF SFTP 6 0900
10,00 m / 32,80 ft	RJF SFTP 6 1000
15,00 m / 49,20 ft	RJF SFTP 6 1500
20,00 m / 65,60 ft	RJF SFTP 6 2000
25,00 m / 82,00 ft	RJF SFTP 6 2500
30,00 m / 98,40 ft	RJF SFTP 6 3000
35,00 m / 114,80 ft	RJF SFTP 6 3500
40,00 m / 131,20 ft	RJF SFTP 6 4000
45,00 m / 147,60 ft	RJF SFTP 6 4500
50,00 m / 164,00 ft	RJF SFTP 6 5000
60,00 m / 196,80 ft	RJF SFTP 6 6000

RJF TV6X

CAT6 RJ45 explosion proof solution for **Zone 2**



Amphenol Atex Field Bus range is designed for device group II category 3G. According to EN60079-15 it may be operated within zone 2 and class I, Division 2, as low power non sparking connectors.



RJFTV6X allows you to use an Ethernet Class E / Cat.6 connection for 10 BaseT, 100 BaseTx or 1000 BaseT networks up to 250 MHz in ATEX zone 2 environments. With the patented RJStop system you can use a standard RJ45 cordset in a metallic plug which will protect it from shocks, dust and fluids. RJFTV6X features the same main characteristics than RJFTV6 series (see page 18).

Main characteristics

■ Ex marking	II3G ExnAII6 X
■ Operating temperature range	-40°C / +60°C
■ Voltage	60 Veff max
■ Power	20 W max
■ Outside cable diameter	6mm to 12mm
■ Sealing	IP68
■ Data transmission	10 BaseT, 100 BaseTX & 1000 BaseT up to 250 MHz networks. Cat. 6 per EIA/TIA 568 & Class E per ISO 11801

Part number code: receptacles.

Series	RJF TV6X	7S	A	2	N
Shell Type	2S: Square flange receptacle 7S: Jam nut receptacle				
Coding	"A" (Standard) or "B", "C", "D"				
Back termination	1: Female RJ45				
Shell Material and Finish:	N: Nickel G: Olive drab cadmium				

Example: jam nut receptacle, A coding, with female RJ45 Back termination, olive drab cadmium plating ⇒ **RJF TV6X 7SA 1 G**

Part number code: plug.

Series	RJF TVX	6M	N
Shell Type	6M: Plug		
Shell Material and Finish:	N: Nickel G: Olive drab cadmium		

Example: plug, olive drab cadmium plating ⇒ **RJF TVX 6MG**

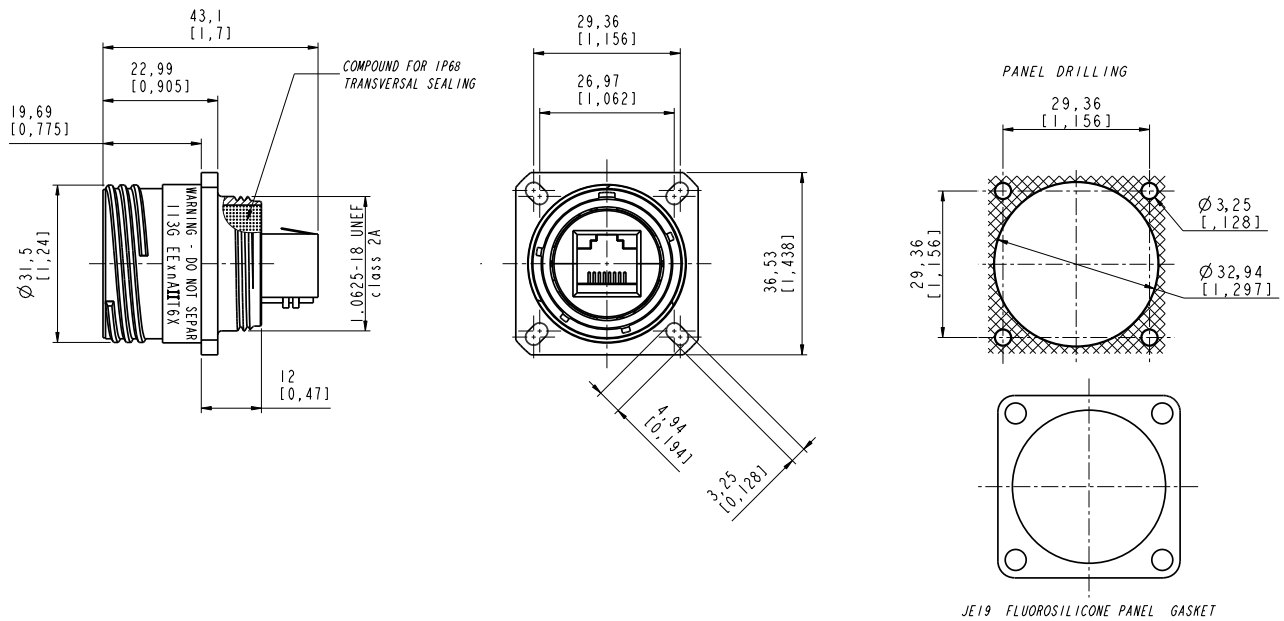
Cat5e version: page 132 of the Field series catalogue.

► [Direct access by clicking here](#)

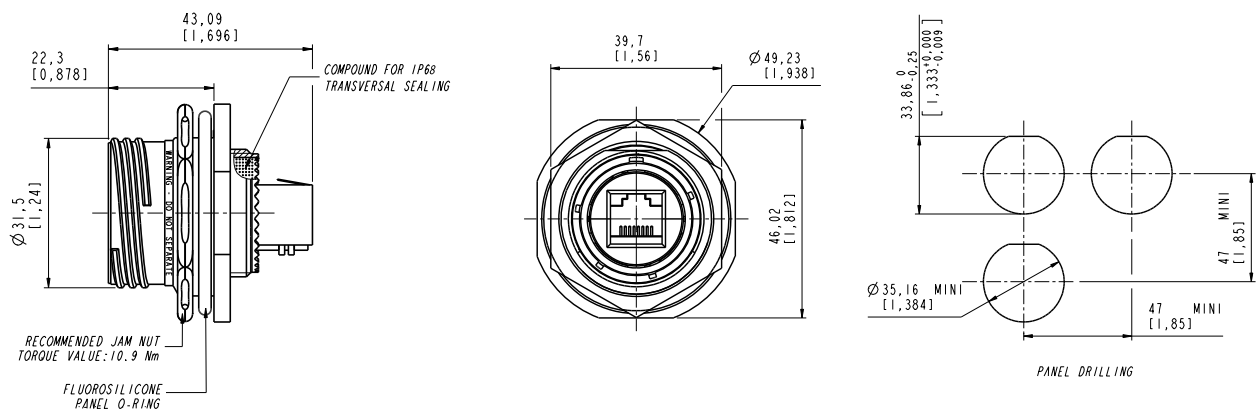
► Or visit www.amphenol-socapex.com

Receptacles

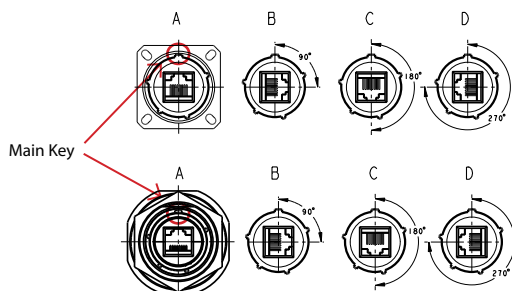
Square flange receptacle - 4 mounting holes: shell type 2



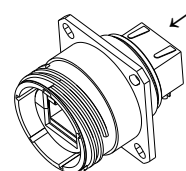
Jam nut receptacle



Codings - To be specified in the part number: A, B, C, or D.



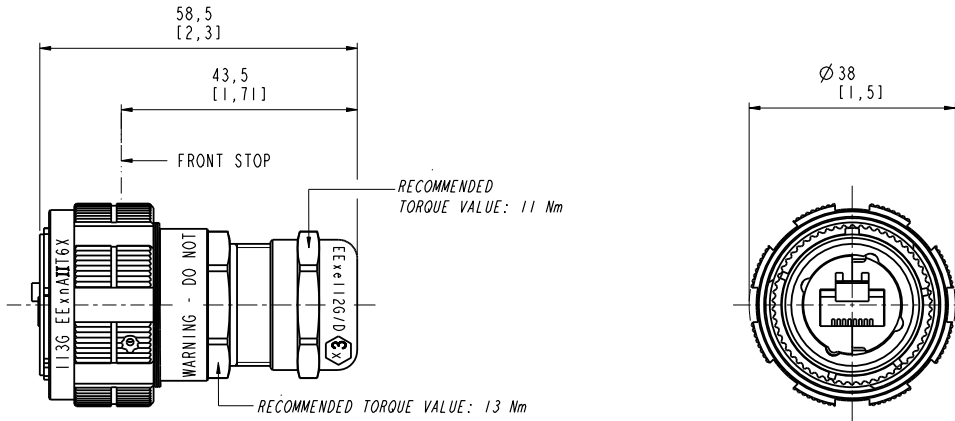
Back termination



Type 1
Female RJ45

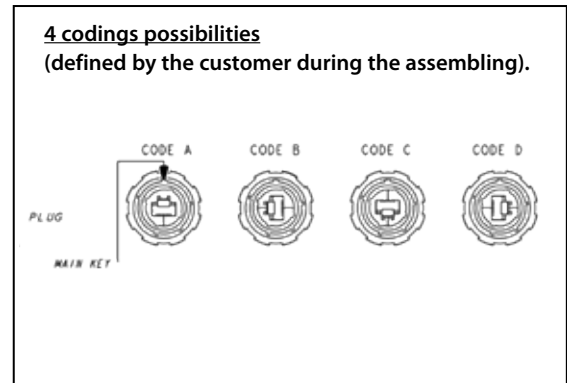
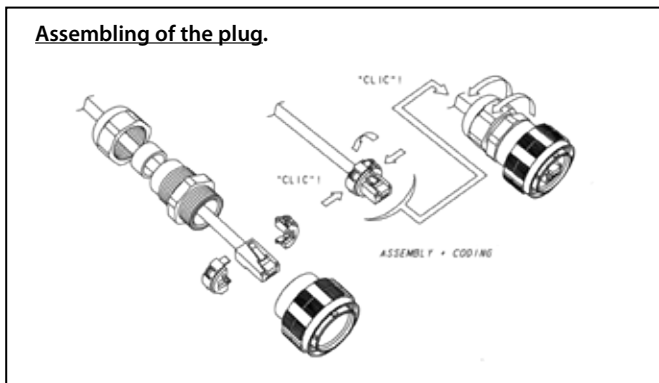
Plug

- Shell type 6 with metal gland



Assembly instructions

Insert codings



IMPORTANT NOTE: to remove the insert, use the

- Insert removal tool for plug

P/N: RJF ODE



Accessories

- Metallic Caps

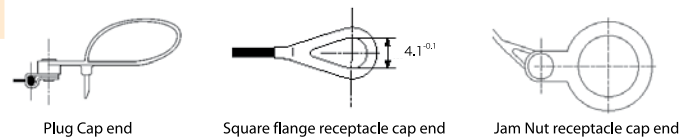
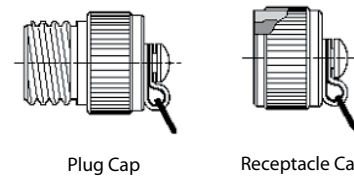
RJFTVC 2 G

Connector type

- 6: plug
- 2: square flange receptacle
- 7: jam nut receptacle

Shell material & finish

- N: aluminium shell - nickel plating - ROHS compliant
- G: aluminium shell - olive drab cadmium plating



NOTES

Lined area for notes, consisting of 25 horizontal dashed lines.

Amphenol in the world

Amphenol Socapex

948, promenade de l'Arve BP29
74311 Thyez Cedex - France
Phone: +33 (0)4 50 89 28 00
contact@amphenol-socapex.fr
www.amphenol-socapex.com

 [www.twitter.com/AmphenolSocapex](https://twitter.com/AmphenolSocapex)
 www.linkedin.com/company/amphenol-socapex

Other Amphenol Sales contacts in Europe

Amphenol Air LB
10 rue champ Raymond
08110 Carignan - France
Phone: +33 (0)1 49 05 30 00

Amphenol AIR LB GmbH
Am Kleinbahnhof 4
66740 Saarlouis - Germany
Phone: +49 6831 981 00

Amphenol TUCHEL ELECTRONICS
August-Haeusser-Str. 10
D-74080 Heilbronn - Germany
Phone: +49 7131 929 00

Amphenol BENELUX
Zadkinestraat 26
Almere, 1328 NN - The Netherlands
Phone: +31 651 296835

Amphenol LIMITED
Thanet Way, Whitstable
Kent, CT53JF - United Kingdom
Phone: +44 1227 773 200

Amphenol ITALY
Via Barbaiana n.5
20020 Lainate - Milano - Italy
Phone: +39 293 254 214

Amphenol IBERICA
Edificio Burgosol, Oficina nr 55 - Comunidad
de Madrid, 35-bis Las Rozas (Madrid) - Spain
Phone: +34 91 640 73 06

Amphenol NORDIC
Phone: +46 702 129 200 (Mil/Aero)
+46 76-790 95 60 (Industrial)

Amphenol AUSTRIA & CEE
Wiener Gasse 68
2380 Perchtoldsdorf
Phone: +43 699 10396071

Amphenol POLAND
Lwowska 8/16 ,
53-516 Wroclaw - Poland
Phone: +48 513017157

Amphenol SWITZERLAND & SOUTH CENTER
*Switzerland, Slovenia, Serbia, Montenegro,
Yugoslavia, Greece, Bulgaria*
948, promenade de l'Arve BP29
74311 Thyez Cedex - France
Phone: +33 (0)4 50 89 28 40

Amphenol Sales contacts in Asia

Amphenol DAESHIN
558 SongNae-Dong SoSa-Gu, Bucheon-city, Kyunggi-Do
Korea 420-130
Phone: +81-32 610 3830/3845

Amphenol EAST ASIA LTD.
No.72, Bendemeer Road,
#03-32/33, Luzerne
Singapore 339941
Phone: +65 6294 2128

Amphenol INTERCONNECT INDIA PRIVATE LIMITED
105 Bhosari Industrial Area - Pune 411 026 - India
Phone: +91 20 3068 8304

Amphenol PCD CO. LTD
Building 21, 1st Liao Keng Industrial Zone, Shi Yan Street
Bao An District, Shenzhen 518108
China
Phone: +86 755 8173 8000/8286

Amphenol JAPAN
471-1, Deba, Ritto-City, Shiga 520 3041 - Japan
Phone: +81 77 553 8501

Amphenol Sales contacts in North America

Amphenol PCD
72 Cherry Hill Drive - Beverly, MA. 01915 - USA
Phone: +1 978 624 3400

Amphenol FIBER SYSTEM INT.
1300 Central Expwy N, Suite 100
Allen, TX 75013 - USA
Phone: +1 214 547 2400

Amphenol AEROSPACE OPERATIONS
40-60 Delaware street - Sidney, NY 13838-1395 - USA
Phone: +1 607 563 5011

Amphenol BACKPLANE SYSTEMS
18 Celina avenue - Nashua, NH 03063 - USA
Phone: +1 603 883 5100

Amphenol CANADA CORPORATION
605 Milner avenue - Toronto, Ontario - Canada - M1B 5X6
Phone: +1 416 291 4401

Amphenol Sales contacts in Other Areas

Amphenol ARGENTINA
Av. Callao 930 2do piso Oficina B "Plaza" C1023 - AAP
Buenos Aires - Argentina
Phone: +54 11 4815 6886

Amphenol AUSTRALIA PTY LIMITED
2 Fiveways Blvd., Keysborough - Melbourne
Victoria 3173- Australia
Phone: +61 3 8796 8888

Amphenol DO BRAZIL
Rua Diogo Moreira, 132, 20 andar, rooms 2001-2-3
CEP: 05423-010 Sao Paulo SP - Brazil
Phone: +55 11 3815 1003

Bar-Tec Ltd., ISRAEL
3 Hagavish Street, K fir-Barkan Bldg. East Industrial
Zone - Kfar-Sava, 44102 - Israel
Phone: +972 9 764 4100

Amphenol MEXICO
Prolongacion Reforma 61-6 B2
Col Paseo de las Lomas - C.P. 013130 Mexico
Phone: +52 55 5258 9984

Amphenol RUSSIA
Yaroslavskaja Street 8,
129164 Moscow - Russia
Phone: +7 495 937 6341

Amphenol AFRICA
30 Impala Rd,
Sandton 2146, South Africa
Tel: +27 82 410 5179

Amphenol TURKEY
Sun Plaza 15 Kat: 15 Maslak Hah. Bilim
Sok. No.5
Sisli/Istanbul, 34398 - Turkey
Phone: +90 212 367 92 19

www.amphenol-socapex.com

For Technical Support, please contact us:
+33 (0)4 50 89 28 49
www.amphenol-socapex.com/technical_support

*The information given in this document are as a guideline only.
We reserve the right to modify our products in any way we deem necessary.
Any duplication is prohibited, unless approved in writing.
Designed by Amphenol Socapex - July 2014*

Your local Contact:

DOC-0000xx-ANG

For more information, please visit our websites:
www.rjfield.com - www.usbfield.com - www.fwfield.com - www.rjswitch.com